

ANGLE	± 5°	REV	LOCAS	DESCRIPTION	DESIGN	DATE	卫国峰
X.XXX	± 0.05	01			DRAWN	DATE	尚伟
X.XX	± 0.15	02			CHECKED	DATE	吴汉学
X.X	± 0.25	03			AUDITED	DATE	龚劲松
X	± 0.50	04			APPROVED	DATE	eric

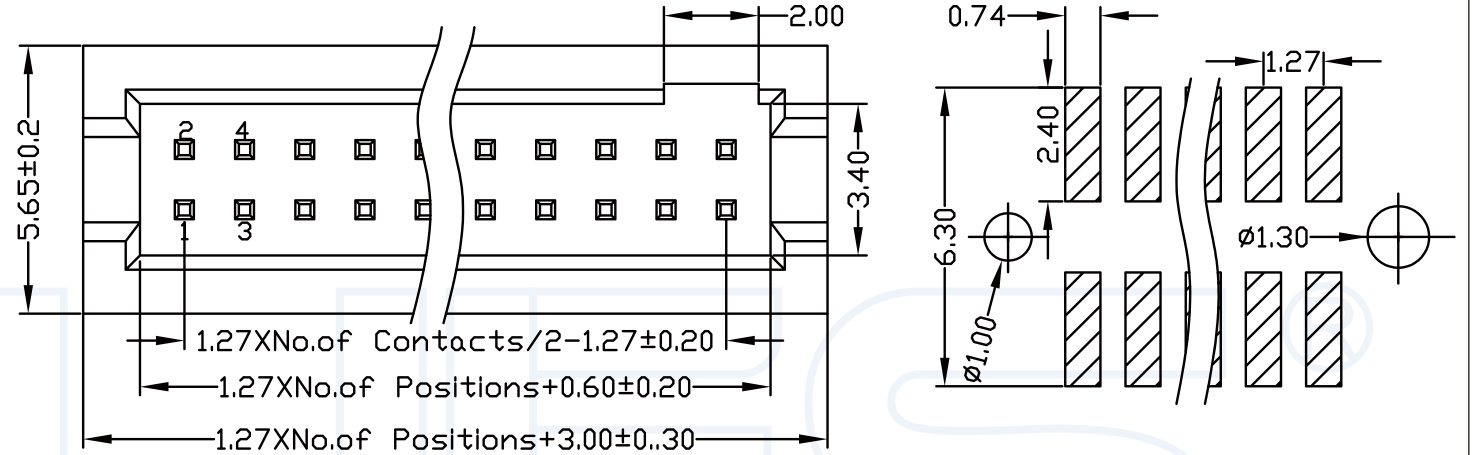
Specifications/备注 (Remark)

1-材料 (MATERIAL)

胶芯: PA9T/LCP+30%G.F UL94V-0, 颜色: 黑色
Housing: PA9T/LCP+30%G.F UL94V-0, Color: Black
四方针: 黄铜/镍底30u"MIN/表面镀金0.8u"MIN
Contact: Brass/0.8u"MIN GOLD PLATING
OVER ALL 30u"MIN NICKEL UNDERPLATING
OVER ALL

2-特性 (characteristics):

额定电流: 1 AMP
Raring Current: 1 AMP .
接触阻抗: 20mΩ MAX.
Contact Resistance: 20mΩ MAX .
绝缘阻抗: 1000MΩMIN.
Insulating Resistance: 1000MΩMIN.
耐电压: AC 500V.
Withstanding Voltage: AC 500V.
温度范围: -40度至+105度
Temperature Range: -40°Cto +105°C



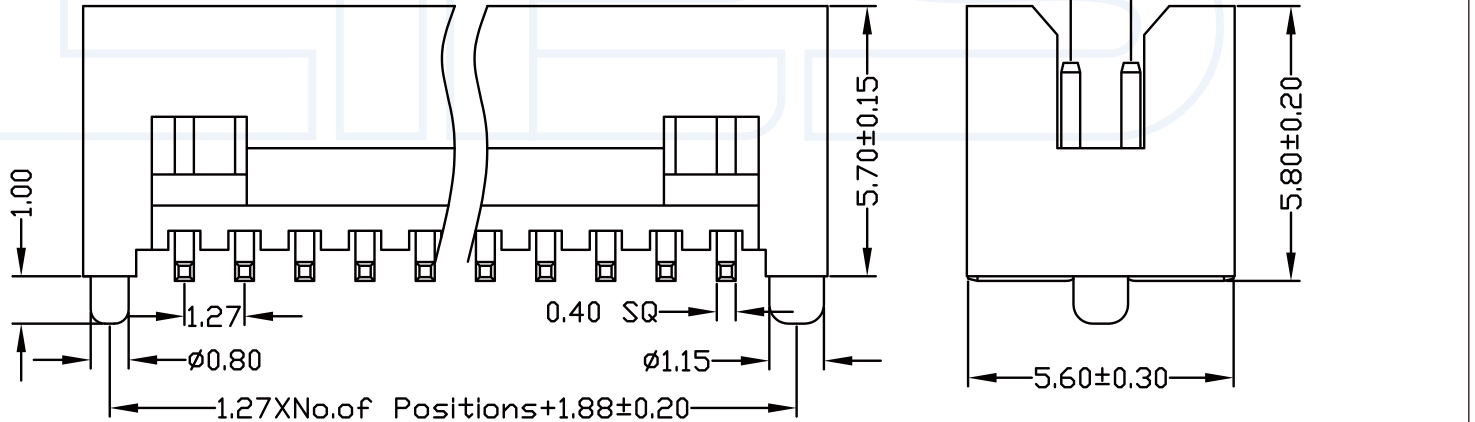
ORDERING INFORMATION

3357-1 XX XX X MX X 3

NO.OF PINS PER ROW		INSULATOR MATERIAL		PACKING	
06-100P		A:PA6T		A:PE Bag	
		C:PA9T		B:TOPE&REED	
		D:LCP		C:TUBE	
				D:TUBE+CAP	
				E:TRAY	

HEIGHT OF HOUSING	CONTACT PLATING	
57:5.7mm	FULL OF GOLD SEMI-GOLD	
65:6.5mm	A0=0.8u"	B0=0.8U"

	A9=30u"	B9=30U"
	S1=ORDINARY TIN PLATED	
	S2=MATTE TIN PLATED	
	S3=TIN-PLATED HIGH-TEMPERATURE	



YLIES 东莞市瑞翔精密连接器有限公司
DONG GUAN YLIES PRECISE CONNECTOR CO.,LTD

Tel:0769-85381995 / Fax:0769-85493987 / Email: ylies@ylies.cn / Web:www.ylies.cn

TITLE 178-1.27mm 简易牛角 SMT及带大小定位柱 DATE 2018-02-18

PROJECTON REV A UNIT mm SCALE 1:1 PAGE 1/1

PART NO: 3357-1XXXXXMX3 DRAWING NO: