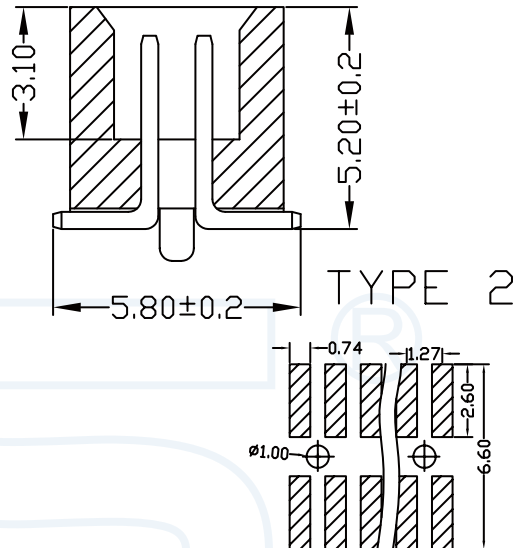
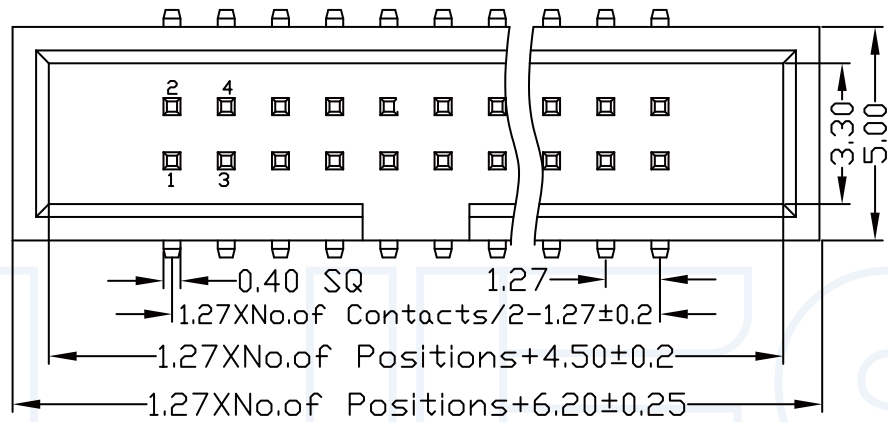


ANGLE	± 5°	REV	LOCAS	DESCRIPTION	DESIGN	DATE	卫国峰
X.XXX	± 0.05	01			DRAWN	DATE	尚伟
X.XX	± 0.15	02			CHECKED	DATE	吴汉学
X.X	± 0.25	03			AUDITED	DATE	龚劲松
X	± 0.50	04			APPROVED	DATE	eric

**Specifications/备注 (Remark)**

1-材料 (MATERIAL)  
 胶芯: PA9T/LCP+30%G.F UL94V-0, 颜色: 黑色  
 Housing: PA9T/LCP+30%G.F UL94V-0, Color: Black  
 四方针: 黄铜/镍底30u"MIN/表面镀金0.8u"MIN  
 Contact: Brass/0.8u"MIN GOLD PLATING  
 OVER ALL 30u"MIN NICKEL UNDERPLATING  
 OVER ALL

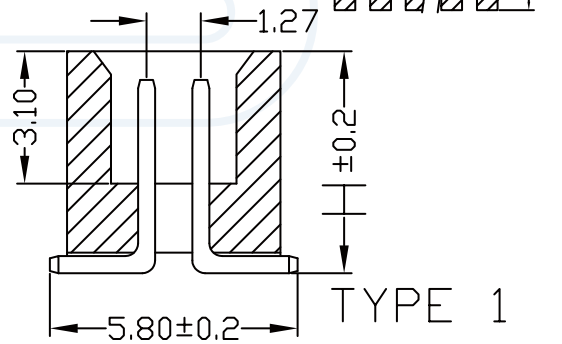
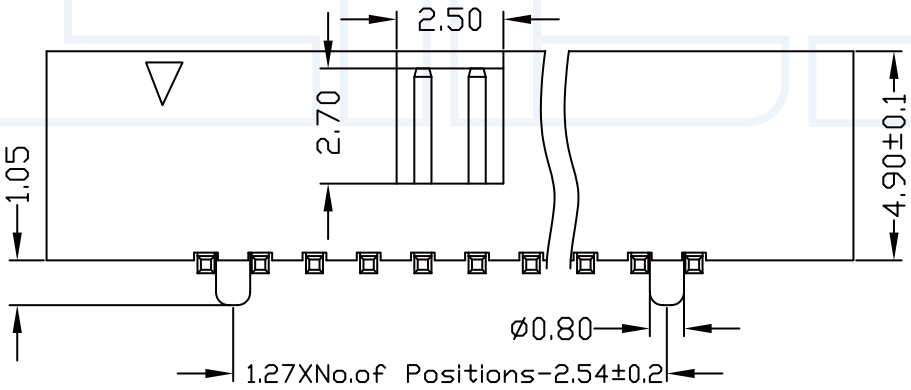
2-特性 (characteristics):  
 额定电流: 1 AMP  
 Raring Current: 1 AMP .  
 接触阻抗: 20mΩ MAX.  
 Contact Resistance: 20mΩ MAX .  
 绝缘阻抗: 1000MΩMIN.  
 Insulating Resistance: 1000MΩMIN.  
 耐电压: AC 500V.  
 Withstanding Voltage: AC 500V.  
 温度范围: -40度至+105度  
 Temperture Range: -40°Cto +105°C



**ORDERING INFORMATION**  
**33XX-11 XX XX X MX X 1**

NO.OF PINS PER ROW: 06-100P  
 INSULATOR MATERIAL: A:PA6T, B:PA9T, C:TUBE, D:LCP  
 PACKING: A:PE Bag, B:TOPE&REED, C:TUBE, D:TUBE+CAP, E:TRAY

HEIGHT OF HOUSING: 49:4.9mm, 55:5.5mm  
 CONTACT PLATING: FULL OF GOLD SEMI-GOLD  
 A0=0.8u", B0=0.8u"  
 A9=30u", B9=30u"  
 S1=ORDINARY TIN PLATED  
 S2=MATTE TIN PLATED  
 S3=TIN-PLATED HIGH-TEMPERATURE



ITEM	H	
Standard	5.2	5.4

**YLIES** 东莞市瑞翔精密连接器有限公司  
 DONG GUAN YLIES PRECISE CONNECTOR CO.,LTD

TITLE: 174-1.27mm 简易牛角 SMT 及带定柱  
 DATE: 2018-02-18

Tel:0769-85381995 / Fax:0769-85493987 / Email: ylies@ylies.cn / Web:www.ylies.cn

PROJECTON REV A UNIT mm SCALE 1:1 PAGE 1/1

PART NO: 3349-11XXXXXXMXX1, 3355-11XXXXXXMXX1  
 DRAWING NO: