

ANGLE	± 5°	REV	LOCAS	DESCRIPTION	DESIGN	DATE	卫国峰
X.XXX	± 0.05	01			DRAWN	DATE	尚伟
X.XX	± 0.15	02			CHECKED	DATE	吴汉学
X.X	± 0.25	03			AUDITED	DATE	龚劲松
X	± 0.50	04			APPROVED	DATE	eric

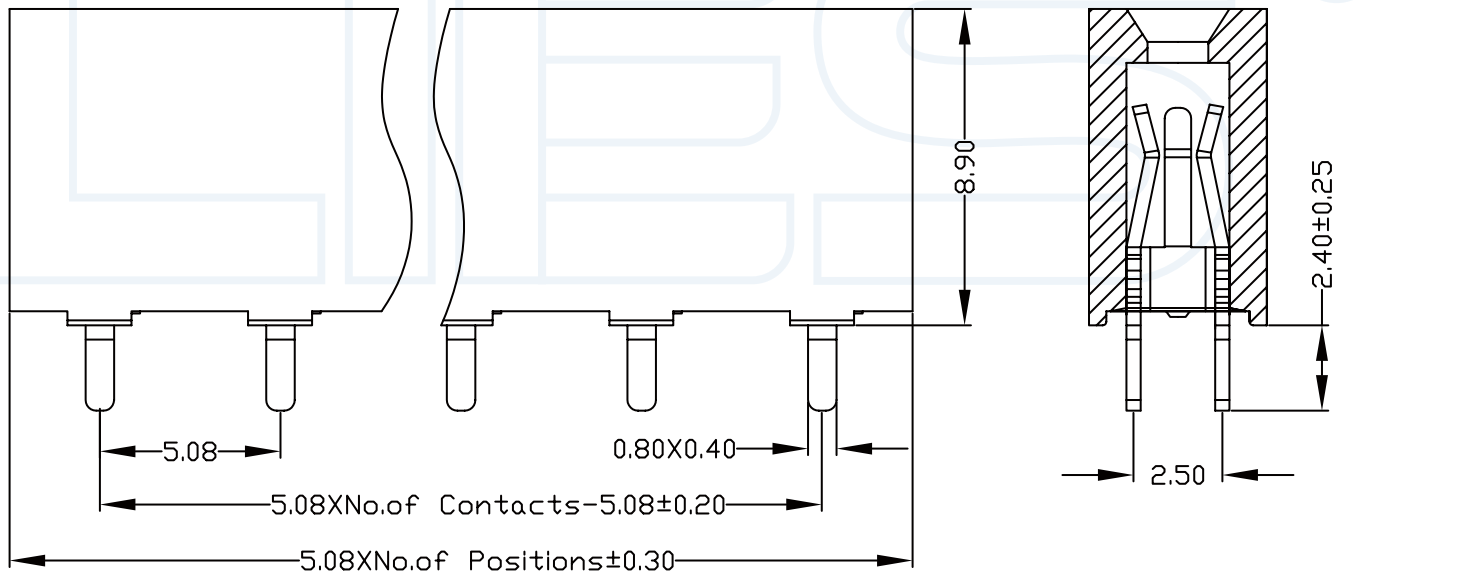
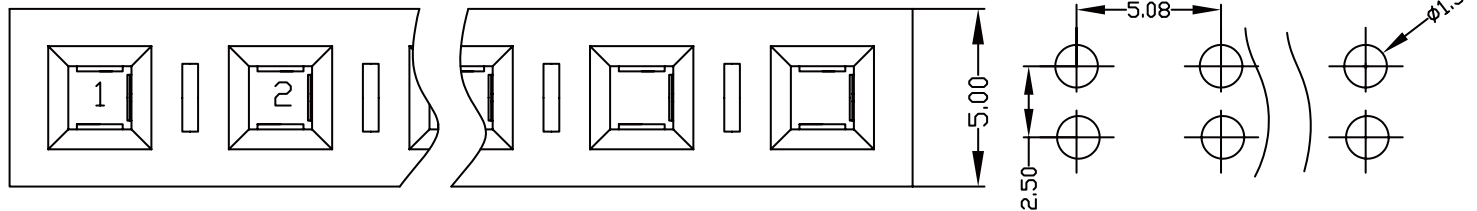
### Specifications/备注 (Remark)

#### 1-材料 (MATERIAL)

胶芯: LCP+30%G.F UL94V-0, 颜色: 黑色  
Housing: LCP+30%G.F UL94V-0, Color: Black  
四方针: 黄铜/镍底30u"MIN/表面镀金0.8u"MIN  
Contact: Brass/0.8u"MIN GOLD PLATING OVER ALL 30u"MIN NICKEL UNDERPLATING OVER ALL

#### 2-特性 (characteristics):

额定电流: 7 AMP  
Raring Current: 7 AMP .  
接触阻抗: 20mΩ MAX.  
Contact Resistance: 20mΩ MAX .  
绝缘阻抗: 1000MΩMIN.  
Insulating Resistance: 1000MΩMIN.  
耐电压: AC 500V.  
Withstanding Voltage: AC 500V.  
温度范围: -40度至+105度  
Temperture Range: -40°Cto +105°C



### ORDERING INFORMATION

**2889-11 XX XX D SU X 1**

NO.OF PINS PER ROW 02-20P	INSULATOR MATERIAL B:PA6T C:PA9T D:LCP	PACKING A:PE Bag B:TOPE&REED C:TUBE D:TUBE+CAP E:TRAY
CONTACT PLATING FULL OF GOLD SEMI-GOLD A0=0.8u" B0=0.8U" ... .. A9=30u" B9=30U" S1=ORDINARY TIN PLATED S2=MATTE TIN PLATED S3=TIN-PLATED HIGH-TEMPERATURE		

**YLIES** 东莞市瑞翔精密连接器有限公司  
DONG GUAN YLIES PRECISE CONNECTOR CO.,LTD

Tel:0769-85381995 / Fax:0769-85493987 / Email: ylies@ylies.cn / Web:www.ylies.cn

TITLE 170-5.08mm 单排排母 U端 180度 DATE 2018-02-18

PROJECTON REV A UNIT mm SCALE 1:1 PAGE 1/1

PART NO: 2889-11XXXXDSUX1 DRAWING NO: