

ANGLE	± 5°	REV	LOCAS	DESCRIPTION	DESIGN	DATE	卫国峰
X.XXX	± 0.05	01			DRAWN	DATE	尚伟
X.XX	± 0.15	02			CHECKED	DATE	吴汉学
X.X	± 0.25	03			AUDITED	DATE	龚劲松
X	± 0.50	04			APPROVED	DATE	eric

### Specifications/备注 (Remark)

#### 1-材料 (MATERIAL)

胶芯: PA6T/PBT+30%G.F UL94V-0, 颜色: 黑色  
Housing: PA6T/PBT+30%G.F UL94V-0, Color: Black  
四方针: 黄铜/镍底30u"MIN/表面镀金0.8u"MIN  
Contact: Brass/0.8u"MIN GOLD PLATING  
OVER ALL 30u"MIN NICKEL UNDERPLATING  
OVER ALL

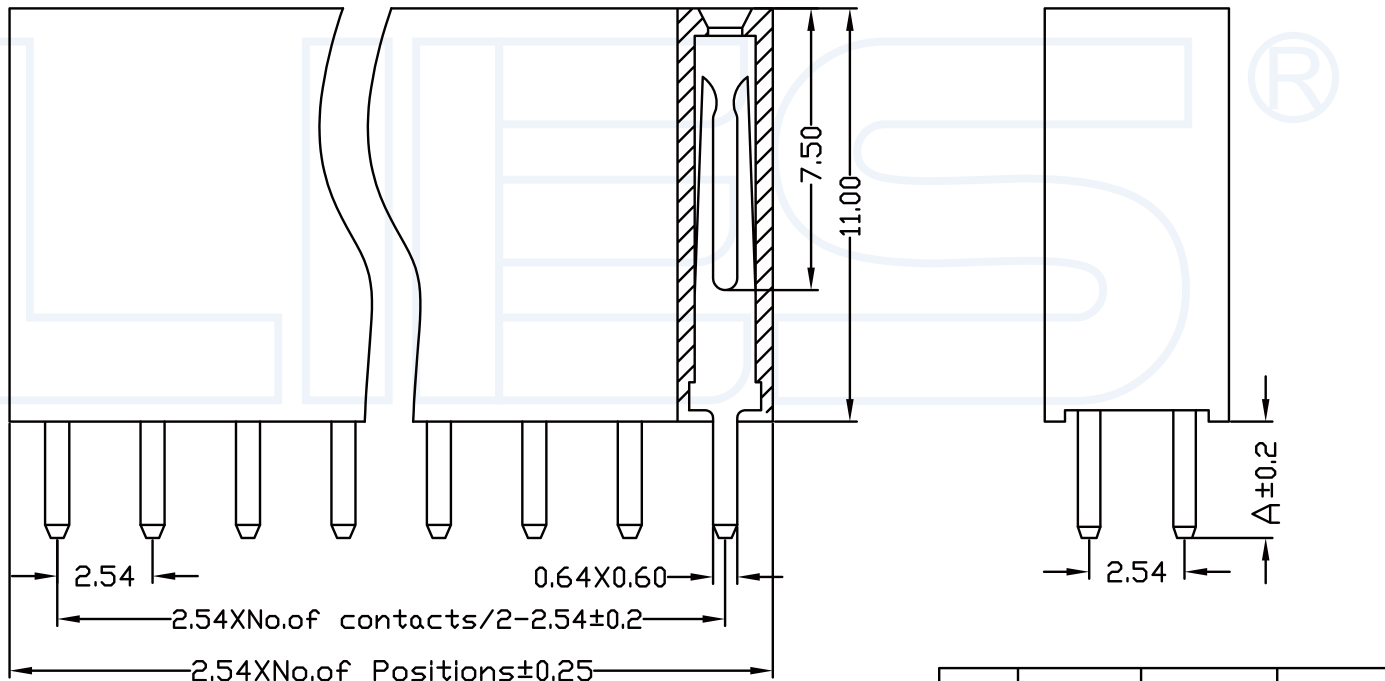
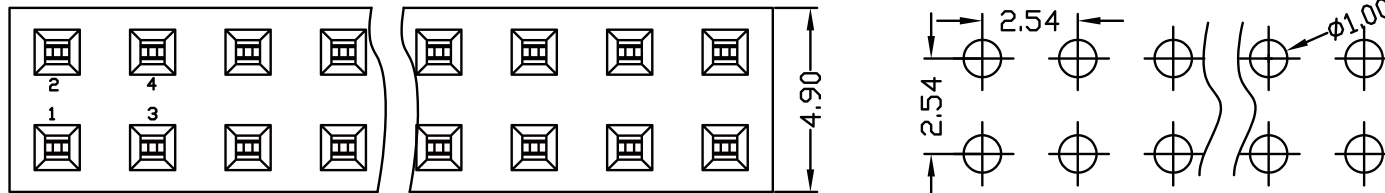
#### 2-特性 (characteristics):

额定电流: 3 AMP  
Raring Current: 3 AMP .  
接触阻抗: 20mΩ MAX.  
Contact Resistance: 20mΩ MAX .  
绝缘阻抗: 1000MΩMIN.  
Insulating Resistance: 1000MΩMIN.  
耐电压: AC 500V.  
Withstanding Voltage: AC 500V.  
温度范围: -40度至+105度  
Temperature Range: -40°Cto +105°C

### ORDERING INFORMATION 2611-12 XX XX X SY X X

NO.OF PINS PER ROW 02-40P	INSULATOR MATERIAL B:PA6T C:PA9T D:LCP	PACKING A:PE Bag B:TOPE&REED C:TUBE D:TUBE+CAP E:TRAY
---------------------------------	--	--

CONTACT PLATING  
FULL OF GOLD SEMI-GOLD  
A0=0.8u" B0=0.8U"  
.....  
A9=30u" B9=30U"  
S1=ORDINARY TIN PLATED  
S2=MATTE TIN PLATED  
S3=TIN-PLATED HIGH-TEMPERATURE



A	3.00	12.20	
---	------	-------	--

**YLIES** 东莞市瑞翔精密连接器有限公司  
DONG GUAN YLIES PRECISE CONNECTOR CO.,LTD

Tel:0769-85381995 / Fax:0769-85493987 / Email: ylies@ylikes.cn / Web:www.ylikes.cn

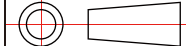
TITLE

167-2.54mm 双排排母 Y端 (PC104)

DATE

2018-02-18

PROJECTON



REV

UNIT

SCALE

PAGE

PART NO:

2611-12XXXXXXSYXX

DRAWING NO:

1

2

3

4

5

6

7

8

9