

ANGLE	± 5°	REV	LOCAS	DESCRIPTION	DESIGN	DATE	卫国峰
X.XXX	± 0.05	01			DRAWN	DATE	尚伟
X.XX	± 0.15	02			CHECKED	DATE	吴汉学
X.X	± 0.25	03			AUDITED	DATE	龚劲松
X	± 0.50	04			APPROVED	DATE	eric

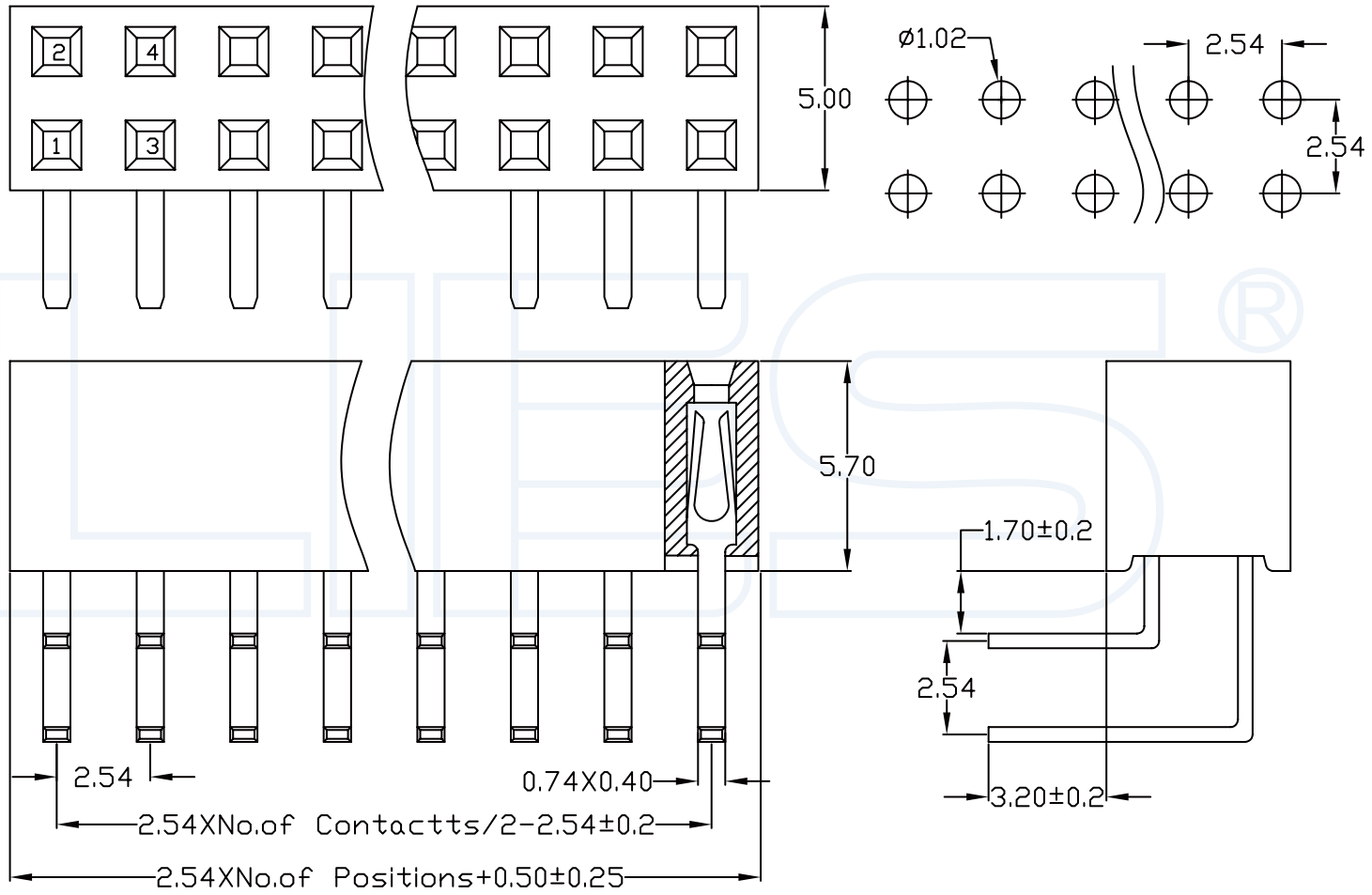
**Specifications/备注 (Remark)**

1-材料 (MATERIAL)  
 胶芯: PA6T/PBT+30%G.F UL94V-0, 颜色: 黑色  
 Housing: PA6T/PBT+30%G.F UL94V-0, Color: Black  
 四方针: 黄铜/镍底30u"MIN/表面镀金0.8u"MIN  
 Contact: Brass/0.8u"MIN GOLD PLATING  
 OVER ALL 30u"MIN NICKEL UNDERPLATING  
 OVER ALL

2-特性 (characteristics):  
 额定电流: 3 AMP  
 Raring Current: 3 AMP .  
 接触阻抗: 20mΩ MAX.  
 Contact Resistance: 20mΩ MAX .  
 绝缘阻抗: 1000MΩMIN.  
 Insulating Resistance: 1000MΩMIN.  
 耐电压: AC 500V.  
 Withstanding Voltage: AC 500V.  
 温度范围: -40度至+105度  
 Temperture Range: -40°Cto +105°C

**ORDERING INFORMATION**  
**2657-12 XX XX X RY X 1**

NO.OF PINS PER ROW 02-40P	INSULATOR MATERIAL B:PA6T C:PA9T D:LCP	PACKING A:PE Bag B:TOPE&REED C:TUBE D:TUBE+CAP E:TRAY
CONTACT PLATING FULL OF GOLD SEMI-GOLD A0=0.8u" B0=0.8U" ... .. A9=30u" B9=30U" S1=ORDINARY TIN PLATED S2=MATTE TIN PLATED S3=TIN-PLATED HIGH-TEMPERATURE		



<b>东莞市瑞翔精密连接器有限公司</b> DONG GUAN YLIES PRECISE CONNECTOR CO.,LTD Tel:0769-85381995 / Fax:0769-85493987 / Email: ylies@ylies.cn / Web:www.ylies.cn	TITLE	139-2.54mm 双排排母 Y端 90度			DATE	2018-02-18			
	PROJECTON	REV	UNIT	SCALE	PAGE	PART NO:	2657-12XXXXXRYX1	DRAWING NO:	
	A	mm	1:1	1/1					