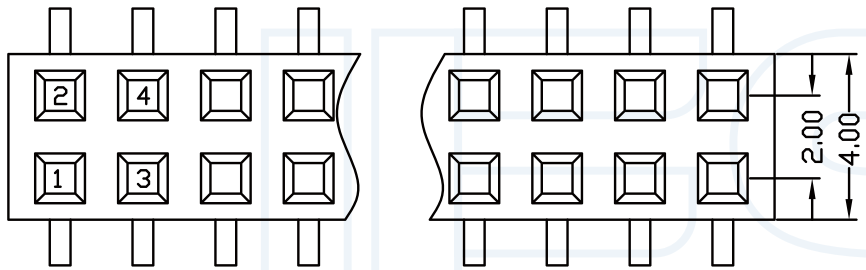
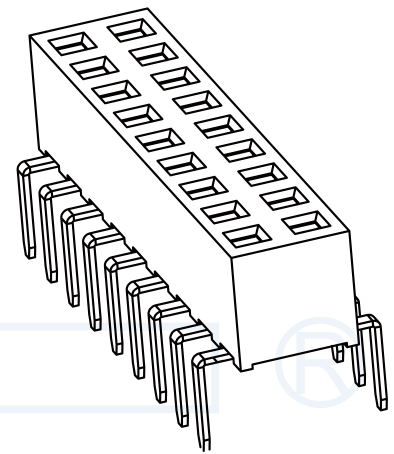
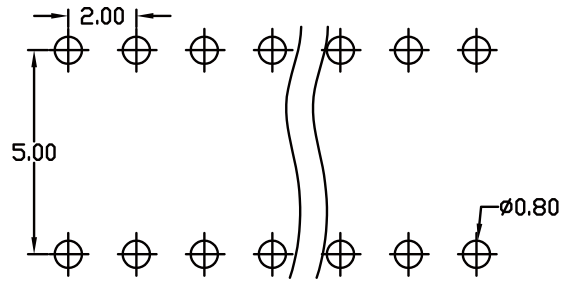


ANGLE	± 5°	REV	LOCAS	DESCRIPTION	DESIGN	DATE	卫国峰
X.XXX	± 0.05	01			DRAWN	DATE	尚伟
X.XX	± 0.15	02			CHECKED	DATE	吴汉学
X.X	± 0.25	03			AUDITED	DATE	龚劲松
X	± 0.50	04			APPROVED	DATE	eric

### Specifications/备注 (Remark)

1-材料 (MATERIAL)  
 胶芯: PA6T+30%G.F UL94V-0, 颜色: 黑色  
 Housing: PA6T+30%G.F UL94V-0, Color: Black  
 四方针: 黄铜/镍底30u"MIN/表面镀金0.8u"MIN  
 Contact: Brass/0.8u"MIN GOLD PLATING  
 OVER ALL 30u"MIN NICKEL UNDERPLATING  
 OVER ALL

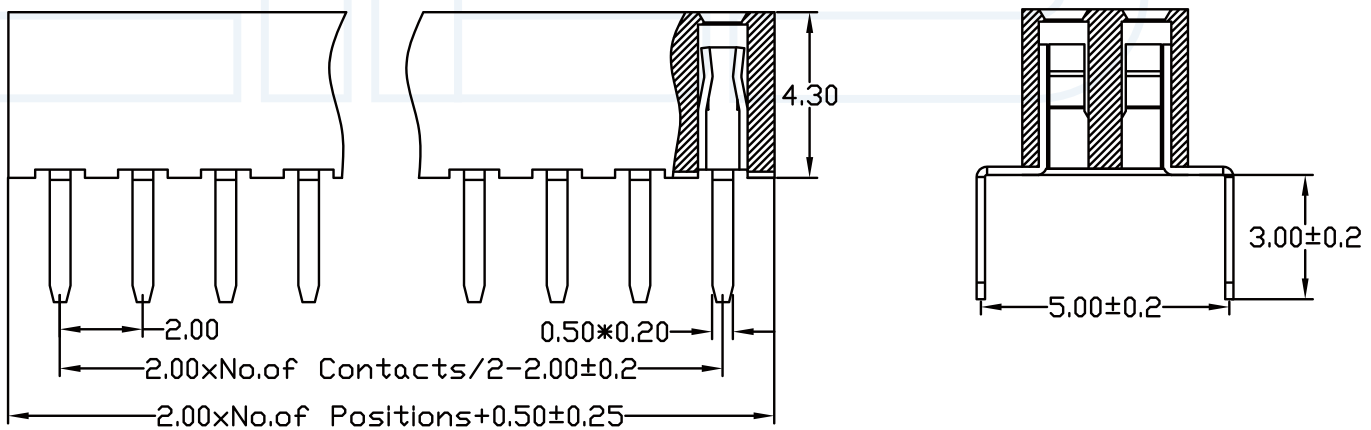
2-特性 (characteristics):  
 额定电流: 2AMP  
 Raring Current: 2 AMP .  
 接触阻抗: 20mΩ MAX.  
 Contact Resistance: 20mΩ MAX .  
 绝缘阻抗: 1000MΩMIN.  
 Insulating Resistance: 1000MΩMIN.  
 耐电压: AC 500V.  
 Withstanding Voltage: AC 500V.  
 温度范围: -40度至+105度  
 Temperture Range: -40°Cto +105°C



### ORDERING INFORMATION

**2543-11 XX XX X WU X 1**

NO. OF PINS PER ROW 02-40P	INSULATOR MATERIAL B: PA6T C: PA9T D: LCP	PACKING A: PE Bag B: TOPE&REED C: TUBE D: TUBE+CAP E: TRAY
CONTACT PLATING FULL OF GOLD SEMI-GOLD A0=0.8u" B0=0.8u" ..... A9=30u" B9=30u" S1=ORDINARY TIN PLATED S2=MATTE TIN PLATED S3=TIN-PLATED HIGH-TEMPERATURE		



**YLIES** 东莞市瑞翔精密连接器有限公司  
 DONG GUAN YLIES PRECISE CONNECTOR CO.,LTD

Tel:0769-85381995 / Fax:0769-85493987 / Email: ylies@ylies.cn / Web:www.ylies.cn

TITLE 112-2.00mm 双排排母 U端 蜈蚣脚 DATE 2018-02-18

PROJECTON REV A UNIT mm SCALE 1:1 PAGE 1/1

PART NO: 2543-11XXXXXWUX1 DRAWING NO: