

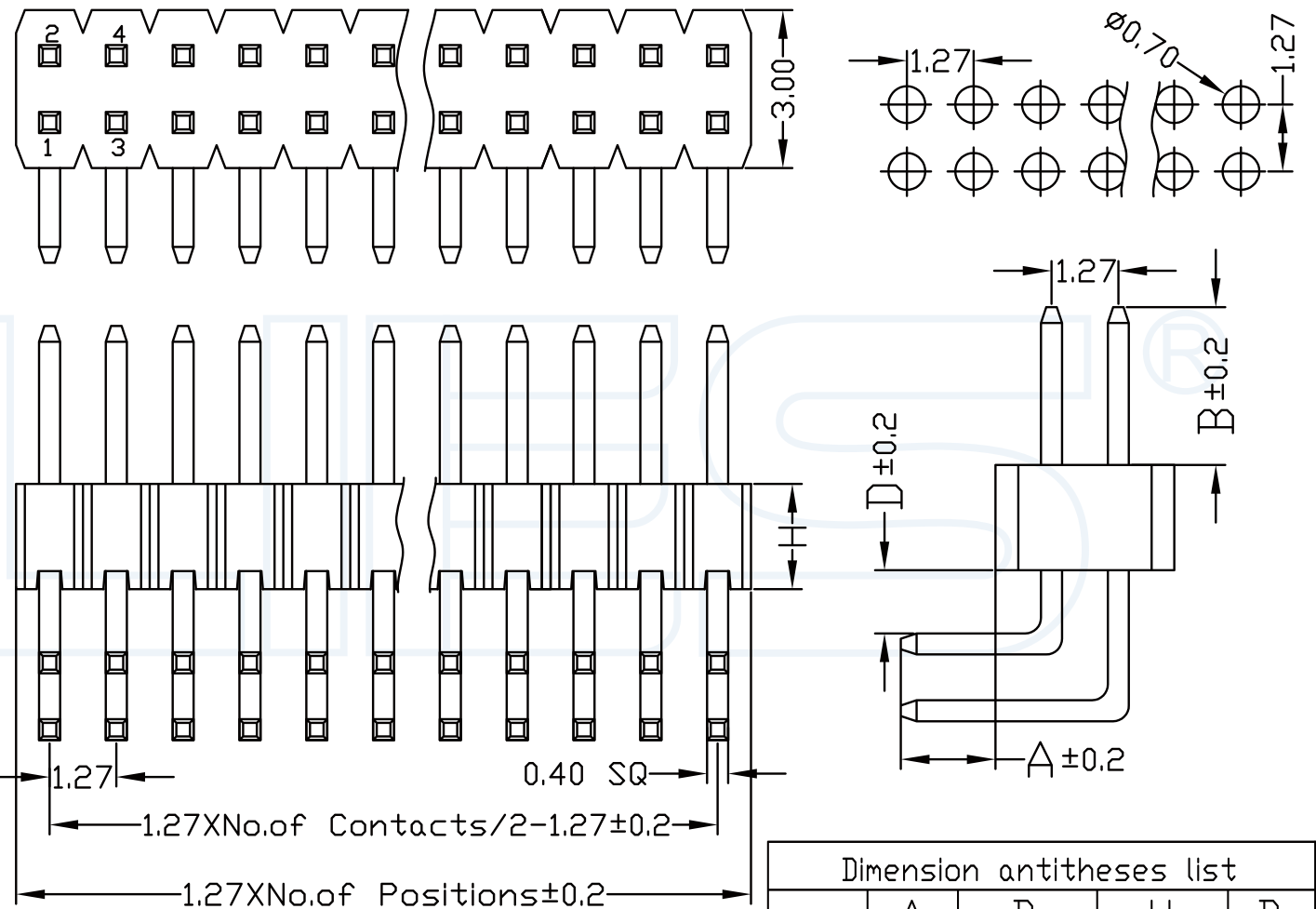
1 2 3 4 5 6 7 8 9

ANGLE	± 5°	REV	LOCAS	DESCRIPTION	DESIGN	DATE	卫国峰
X.XXX	± 0.05	01			DRAWN	DATE	尚伟
X.XX	± 0.15	02			CHECKED	DATE	吴汉学
X.X	± 0.25	03			AUDITED	DATE	龚劲松
X	± 0.50	04			APPROVED	DATE	eric

**Specifications/备注 (Remark)**

**1-材料 (MATERIAL)**  
 胶芯: PA6T+30%G.F UL94V-0, 颜色: 黑色  
 Housing:PA6T+30%G.F UL94V-0,Color:Black  
 四方针: 黄铜/镍底30u"MIN/表面镀金0.8u"MIN  
 Contact: Brass/0.8u"MIN GOLD PLATING  
 OVER ALL 30u"MIN NICKEL UNDERPLATING  
 OVER ALL

**2-特性 (characteristics):**  
 额定电流: 1AMP  
 Raring Current:1 AMP .  
 接触阻抗: 20mΩ MAX.  
 Contact Resistance:20mΩ MAX .  
 绝缘阻抗: 1000MΩMIN.  
 Insulating Resistance:1000MΩMIN.  
 耐电压: AC 500V.  
 Withstanding Voltage:AC 500V.  
 温度范围: -40度至+105度  
 Temperature Range: -40°Cto +105°C



**ORDERING INFORMATION**

**13XX-12 XX XX X R XXX X 2**

NO.OF PINS PER ROW 02-50P	INSULATOR MATERIAL B:PA6T C:PA9T D:LCP	PACKING A:PE Bag B:TOPE&REED C:TUBE D:TUBE+CAP E:TRAY
HEIGHT OF HOUSING 16:1.6mm 20:2.0mm 25:2.54mm	CONTACT PLATING FULL OF GOLD SEMI-GOLD A0=0.8u" B0=0.8U" ..... A9=30u" B9=30U" S1=ORDINARY TIN PLATED S2=MATTE TIN PLATED S3=TIN-PLATED HIGH-TEMPERATURE	LENGTH OF TERMINAL

Dimension antitheses list											
ITEM	A		B		H		D				
Standard	2.8	1.8	1.8	3.0	4.0	1.6	2.0	2.54	0	1.2	
Alternate											

**YLIES** 东莞市瑞翔精密连接器有限公司  
 DONG GUAN YLIES PRECISE CONNECTOR CO.,LTD

TITLE: 23-1.27mm 双排排针 单塑90度 DATE: 2018-02-18

Tel:0769-85381995 / Fax:0769-85493987 / Email: ylies@ylies.cn / Web:www.ylies.cn

PROJECTON REV A UNIT mm SCALE 1:1 PAGE 1/1

PART NO: 13XX-12XXXXXRXXXX2 DRAWING NO:

1 2 3 4 5 6 7 8 9