

1 2 3 4 5 6 7 8 9

ANGLE	± 5°	REV	LOCAS	DESCRIPTION	DESIGN	DATE	卫国峰
X.XXX	± 0.05	01			DRAWN	DATE	尚伟
X.XX	± 0.15	02			CHECKED	DATE	吴汉学
X.X	± 0.25	03			AUDITED	DATE	龚劲松
X	± 0.50	04			APPROVED	DATE	eric

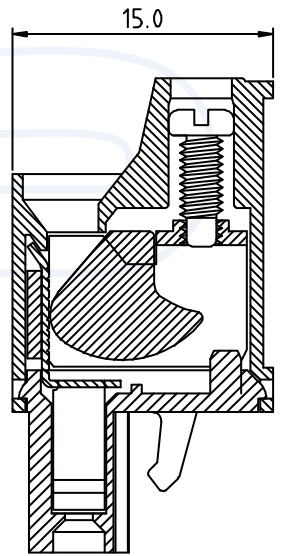
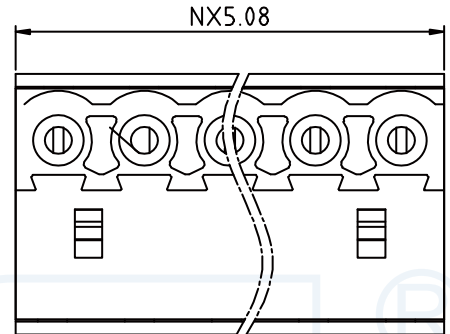
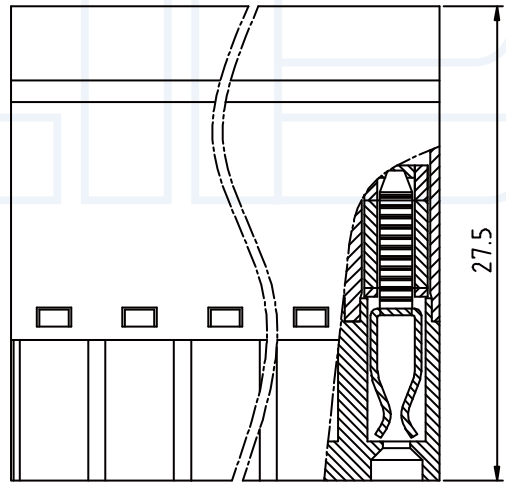
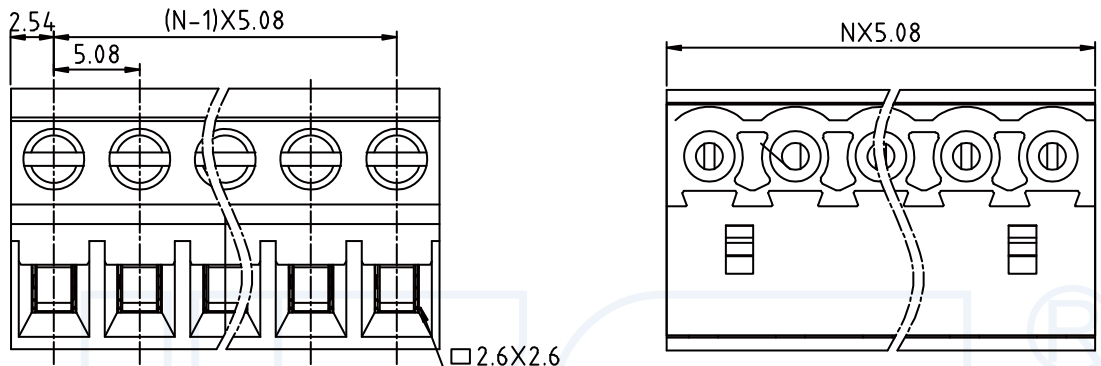
Specifications/备注 (Remark)

- 1-材料 (MATERIAL)
 胶芯: PA66 UL94V-0
 Housing: PA66 UL94V-0
 端子: 黄铜
 Contact: Phosphor bronze
- 2-特性 (characteristics):
 额定电压: 300V AC/DC .
 Voltage Rating: 300V AC/DC.
 额定电流: 16 AMP.(AWG #12-26) .
 Raring Current: 16 AMP.(AWG #12-26) .
 接触阻抗: ≤20mΩ MAX.
 Contact Resistance: ≤20mΩ MAX.
 耐电压: 2500V AC/MINUTE
 Withstanding Voltage: 2500V AC/MINUTE
 温度范围: -40度至+105度
 Temperature Range: -40°Cto +105°C

ORDERING INFORMATION

JX508- XX F S S1 B GD

SERLES NO 508:5.08mm	NVO.OF PINS 02-24P	CONTACT SHAPE S:STRAIGHT R:Right Angle WT:Right Angle SMT	INSULATOR MATERIAL A:PA46 B:PA66 C:PA9T D:LCP	PACKING A:PE Bag B:TUBE C:TRAY D:BOX	COLOUR B:BLACK L:BLUE G:GREE
JX=TERMINAL Per Row BLOCKS	TYPE	F=FEMALE M=MALE P=PIERCE	CONTACT PLATING FULL OF GOLD SEMI-GOLD S1=ORDINARY TIN PLATED S2=MATTE TIN PLATED S3=TIN-PLATED HIGH-TEMPERATURE		



N=Number of contacts

YLIES 东莞市瑞翔精密连接器有限公司
 DONG GUAN YLIES PRECISE CONNECTOR CO.,LTD

Tel:0769-85381995 / Fax:0769-85493987 / Email: ylies@ylies.cn / Web:www.ylies.cn

TITLE 534-5.08mm 绿色端子台 母座180度 (F75-7) DATE 2018-02-18

PROJECTON REV A UNIT mm SCALE 1:1 PAGE 1/1

PART NO: JX508-XXFSS1BGD DRAWING NO:

1 2 3 4 5 6 7 8 9