

| ANGLE | ± 5° | REV | LOCAS | DESCRIPTION | DESIGN | DATE | 卫国峰 |
|-------|--------|-----|-------|-------------|----------|------|------|
| X.XXX | ± 0.05 | 01 | | | DRAWN | DATE | 尚伟 |
| X.XX | ± 0.15 | 02 | | | CHECKED | DATE | 吴汉学 |
| X.X | ± 0.25 | 03 | | | AUDITED | DATE | 龚劲松 |
| X | ± 0.50 | 04 | | | APPROVED | DATE | eric |

Specifications/备注 (Remark)

1-材料 (MATERIAL)

胶芯: PA66 UL94V-0
Housing: PA66 UL94V-0
端子: 黄铜

Contact: Phosphor bronze

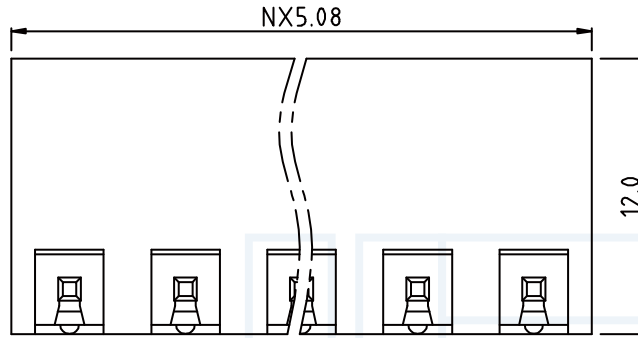
2-特性 (characteristics):

额定电压: 300V AC/DC .
Voltage Rating: 300V AC/DC.
额定电流: 16 AMP.(AWG #12-30) .
Raring Current: 16 AMP.(AWG #12-30) .
接触阻抗: ≤20mΩ MAX.
Contact Resistance: ≤20mΩ MAX.
耐电压: 2500V AC/MINUTE
Withstanding Voltage: 2500V AC/MINUTE
温度范围: -40度至+105度
Temperture Range: -40°Cto +105°C

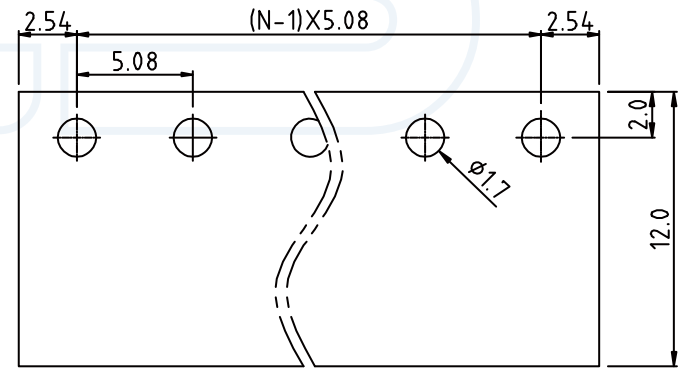
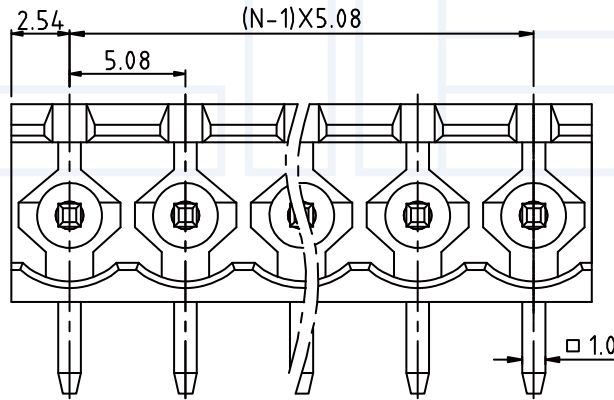
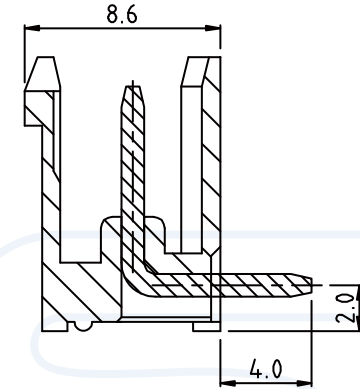
ORDERING INFORMATION

JX508-XX M R S1 B GD

| | | | | |
|--------------------------------------|--------------------------------|---|-------------------------------------|---------------------------------------|
| SERLES NO 508:5.08mm | NVO.OF PINS | CONTACT SHAPE | INSULATOR MATERIAL | PACKING |
| JX=TERMINAL Per Row BLOCKS 02-24P | TYPE | S:STRAIGHT R:Right Angle WT:Right Angle SMT | A:PA46 B:PA66 C:PA9T D:LCP | A:PE Bag B:TUBE C:TRAY D:BOX |
| | F=FEMALE M=MALE P=PIERCE | CONTACT PLATING | COLOUR | |
| | | FULL OF GOLD SEMI-GOLD S1=ORDINARY TIN PLATED S2=MATTE TIN PLATED S3=TIN-PLATED HIGH-TEMPERATURE | B:BLACK L:BLUE G:GREE | |



N=Number of contacts



PCB LAYOUT

YLIES 东莞市瑞翔精密连接器有限公司
DONG GUAN YLIES PRECISE CONNECTOR CO.,LTD

Tel:0769-85381995 / Fax:0769-85493987 / Email: ylies@ylies.cn / Web:www.ylies.cn

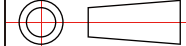
TITLE

533-5.08mm 绿色端子 公座90度 (F85-3)

DATE

2018-02-18

PROJECTON



REV

A

UNIT

mm

SCALE

1:1

PAGE

1/1

PART NO:

JX508-XXMRS1BGD

DRAWING NO:

1

2

3

4

5

6

7

8

9