

ANGLE	± 5°	REV	LOCAS	DESCRIPTION	DESIGN	DATE	卫国峰
X.XXX	± 0.05	01			DRAWN	DATE	尚伟
X.XX	± 0.15	02			CHECKED	DATE	吴汉学
X.X	± 0.25	03			AUDITED	DATE	龚劲松
X	± 0.50	04			APPROVED	DATE	eric

### Specifications/备注 (Remark)

#### 1-材料 (MATERIAL)

胶芯: PA66 UL94V-0  
Housing: PA66 UL94V-0  
端子: 黄铜

Contact: Phosphor bronze

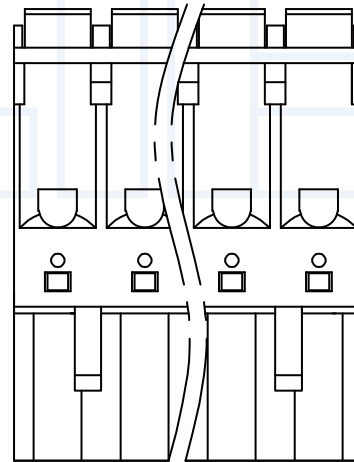
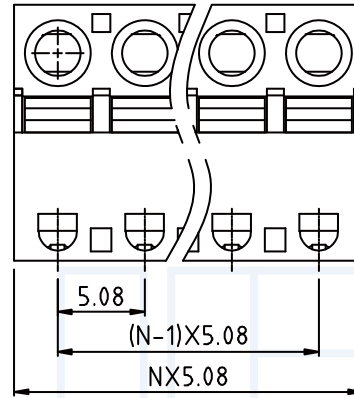
#### 2-特性 (characteristics):

额定电压: 300V AC/DC .  
Voltage Rating: 300V AC/DC.  
额定电流: 16 AMP.(AWG #12-26) .  
Rating Current: 16 AMP.(AWG #12-26) .  
接触阻抗: ≤20mΩ MAX.  
Contact Resistance: ≤20mΩ MAX.  
耐电压: 2500V AC/MINUTE  
Withstanding Voltage: 2500V AC/MINUTE  
温度范围: -40度至+105度  
Temperture Range: -40°Cto +105°C

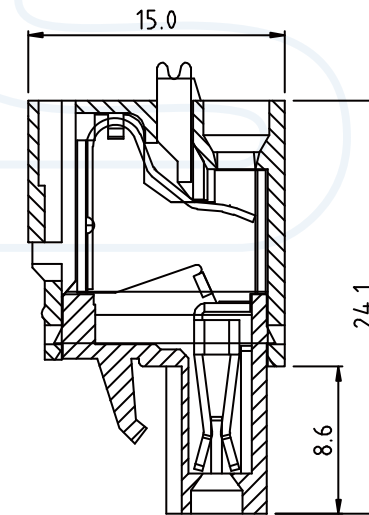
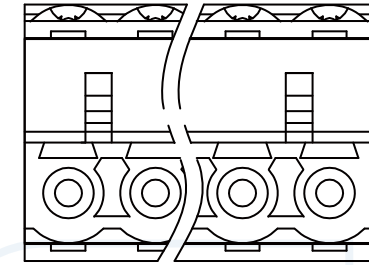
### ORDERING INFORMATION

#### JX508- XX F S S1 B GD

SERLES NO 508:5.08mm	NVO.OF PINS Per Row	CONTACT SHAPE	INSULATOR MATERIAL	PACKING
JX=TERMINAL BLOCKS	02-24P	S:STRAIGHT R:Right Angle WT:Right Angle SMT	A:PA46 B:PA66 C:PA9T D:LCP	A:PE Bag B:TUBE C:TRAY D:BOX
TYPE	F=FEMALE M=MALE P=PIERCE	CONTACT PLATING	COLOUR	
		FULL OF GOLD SEMI-GOLD S1=ORDINARY TIN PLATED S2=MATTE TIN PLATED S3=TIN-PLATED HIGH-TEMPERATURE	B:BLACK L:BLUE G:GREE	



N=Number of contacts



**YLIES** 东莞市瑞翔精密连接器有限公司  
DONG GUAN YLIES PRECISE CONNECTOR CO.,LTD

Tel:0769-85381995 / Fax:0769-85493987 / Email: ylies@ylies.cn / Web:www.ylies.cn

PROJECTON		REV	UNIT	SCALE	PAGE
		A	mm	1:1	1/1

TITLE 532-5.08mm 绿色端子台 母座180度 (F75-H) DATE 2018-02-18

PART NO: JX508-XXFSS1BGD DRAWING NO: