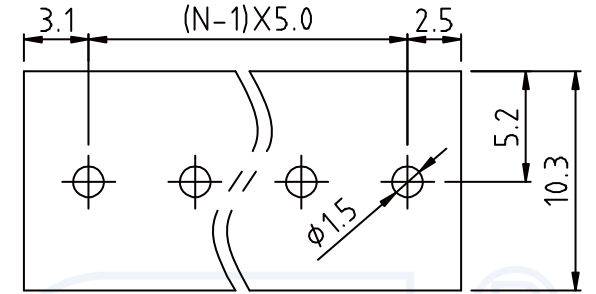
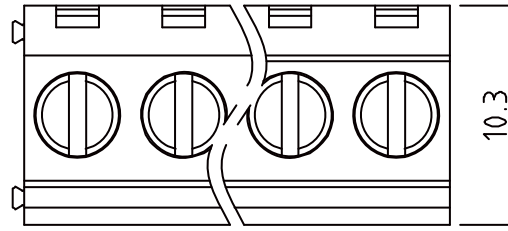


ANGLE	± 5°	REV	LOCAS	DESCRIPTION	DESIGN	DATE	卫国峰
X.XXX	± 0.05	01			DRAWN	DATE	尚伟
X.XX	± 0.15	02			CHECKED	DATE	吴汉学
X.X	± 0.25	03			AUDITED	DATE	龚劲松
X	± 0.50	04			APPROVED	DATE	eric

### Specifications/备注 (Remark)

- 1-材料 (MATERIAL)  
 胶芯: PA66 UL94V-0  
 Housing: PA66 UL94V-0  
 端子: 黄铜  
 Contact: Phosphor bronze
- 2-特性 (characteristics):  
 额定电压: 300V AC/DC .  
 Voltage Rating: 300V AC/DC.  
 额定电流: 16 AMP.(AWG #12-30) .  
 Raring Current: 16 AMP.(AWG #12-30) .  
 接触阻抗: ≤20mΩ MAX.  
 Contact Resistance: ≤20mΩ MAX.  
 耐电压: 2500V AC/MINUTE  
 Withstanding Voltage: 2500V AC/MINUTE  
 温度范围: -40度至+105度  
 Temperture Range: -40°Cto +105°C



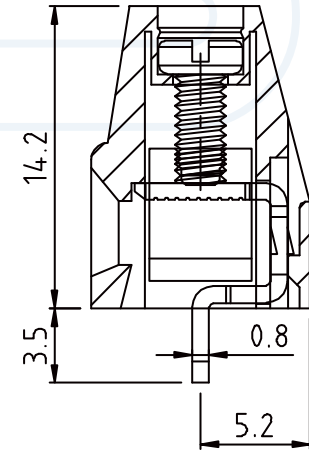
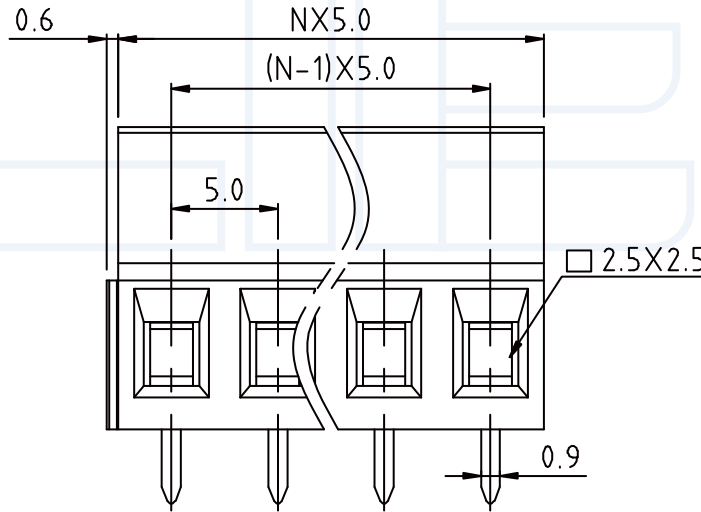
N=Number of contacts

P.C.B. LAYOUT

### ORDERING INFORMATION

**JX 35- XX F S S1 B GD**

- |                       |                        |  |  |  |                                       |
|-----------------------|------------------------|--|--|--|---------------------------------------|
| SERLES NO<br>35:3.5mm | NVO.OF PINS<br>Per Row | CONTACT<br>SHAPE<br>S:STRAIGHT<br>R:Right Angle<br>WT:Right<br>Angle SMT | INSULATOR<br>MATERIAL<br>A:PA46<br>B:PA66<br>C:PA9T<br>D:LCP   | PACKING<br>A:PE Bag<br>B:TUBE<br>C:TRAY<br>D:BOX | COLOUR<br>B:BLACK<br>L:BLUE<br>G:GREE |
| JX=TERMINAL<br>BLOCKS | 02-24P                 | TYPE<br>F=FEMALE<br>M=MALE<br>P=PIERCE                                   | CONTACT PLATING<br>FULL OF GOLD SEMI-GOLD<br>S1=ORDINARY TIN PLATED<br>S2=MATTE TIN PLATED<br>S3=TIN-PLATED HIGH-TEMPERATURE |  |                                       |



**YLIES** 东莞市瑞翔精密连接器有限公司  
 DONG GUAN YLIES PRECISE CONNECTOR CO.,LTD

Tel:0769-85381995 / Fax:0769-85493987 / Email: ylies@ylies.cn / Web:www.ylies.cn

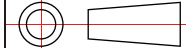
TITLE

529-3.5mm 绿色端子 公座 (F35-A)

DATE

2018-02-18

PROJECTON



REV

A

UNIT

mm

SCALE

1:1

PAGE

1/1

PART NO:

JX35-XXFSS1BGD

DRAWING NO:

1

2

3

4

5

6

7

8

9